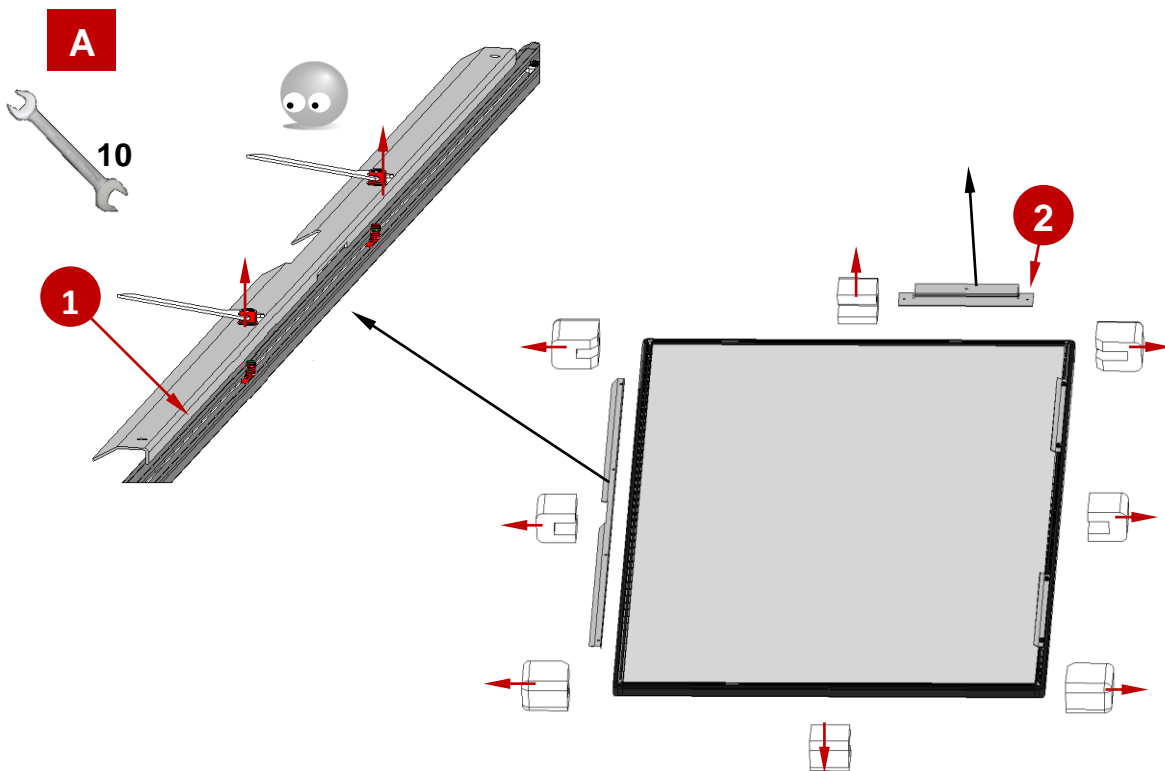
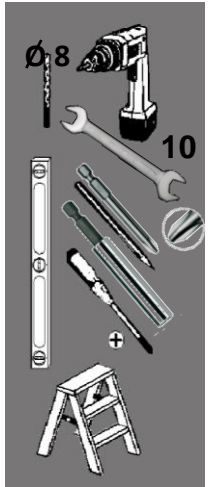
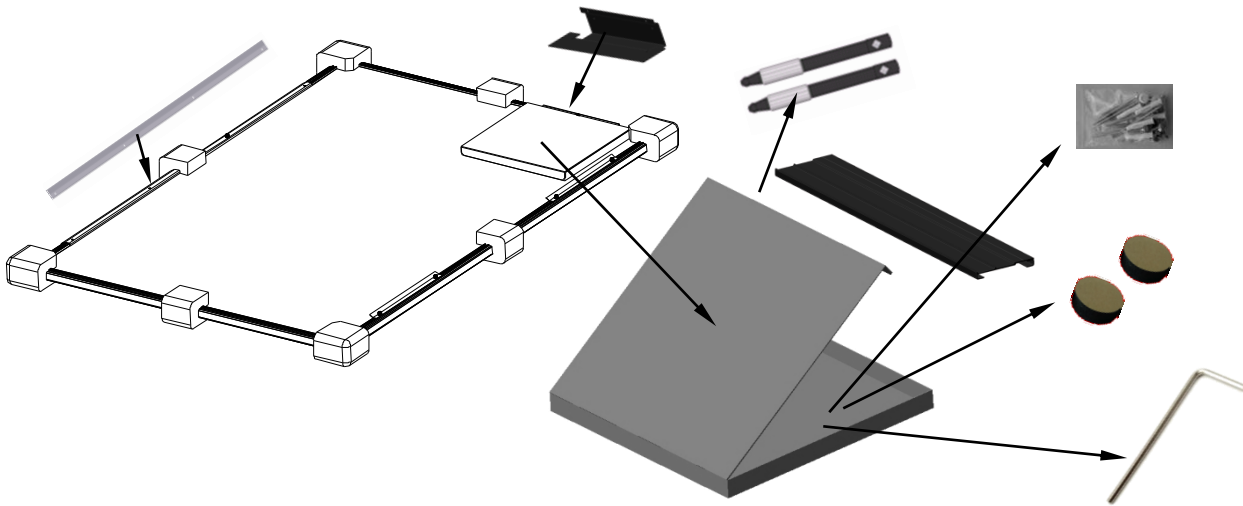
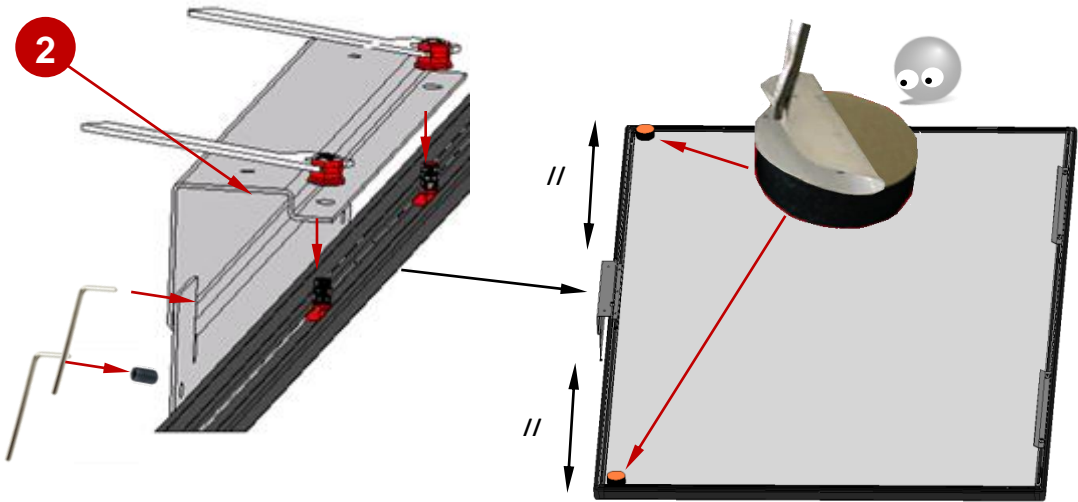




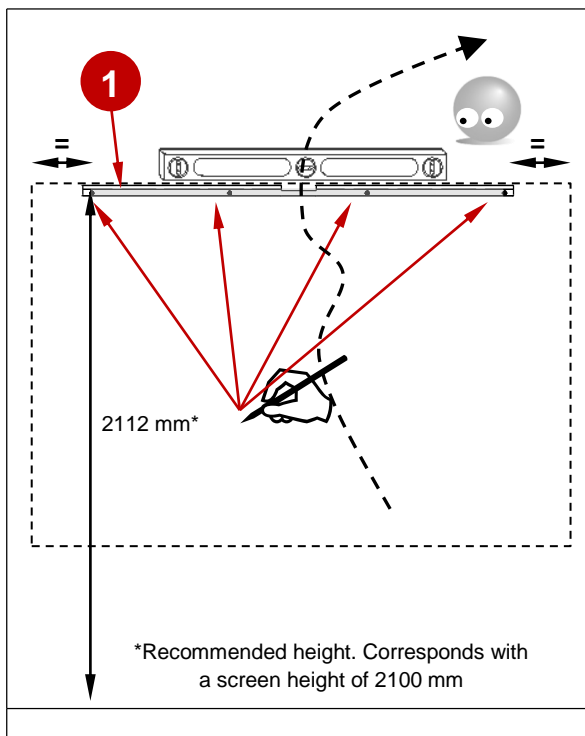
7309FD1



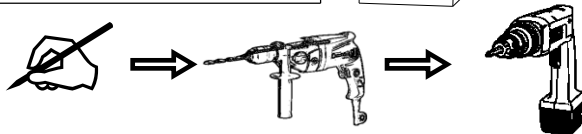
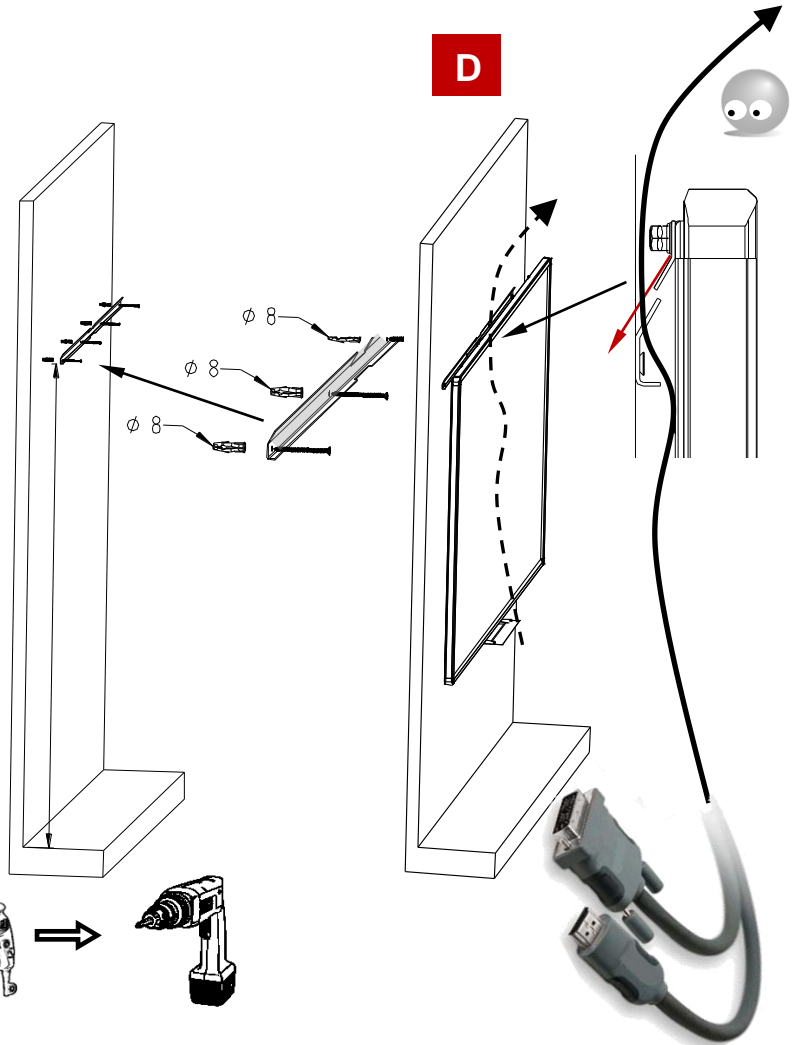
B



C

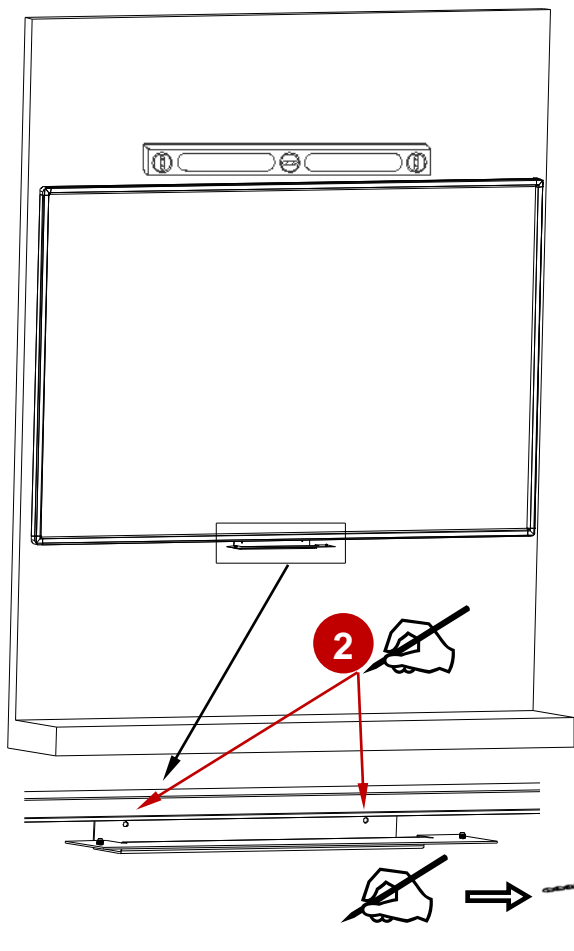
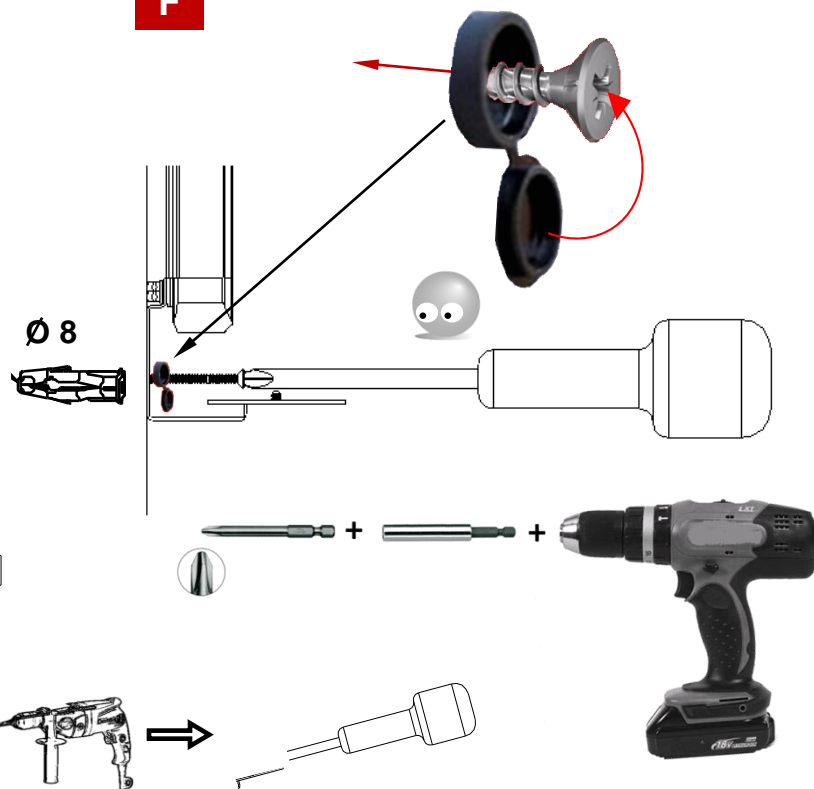
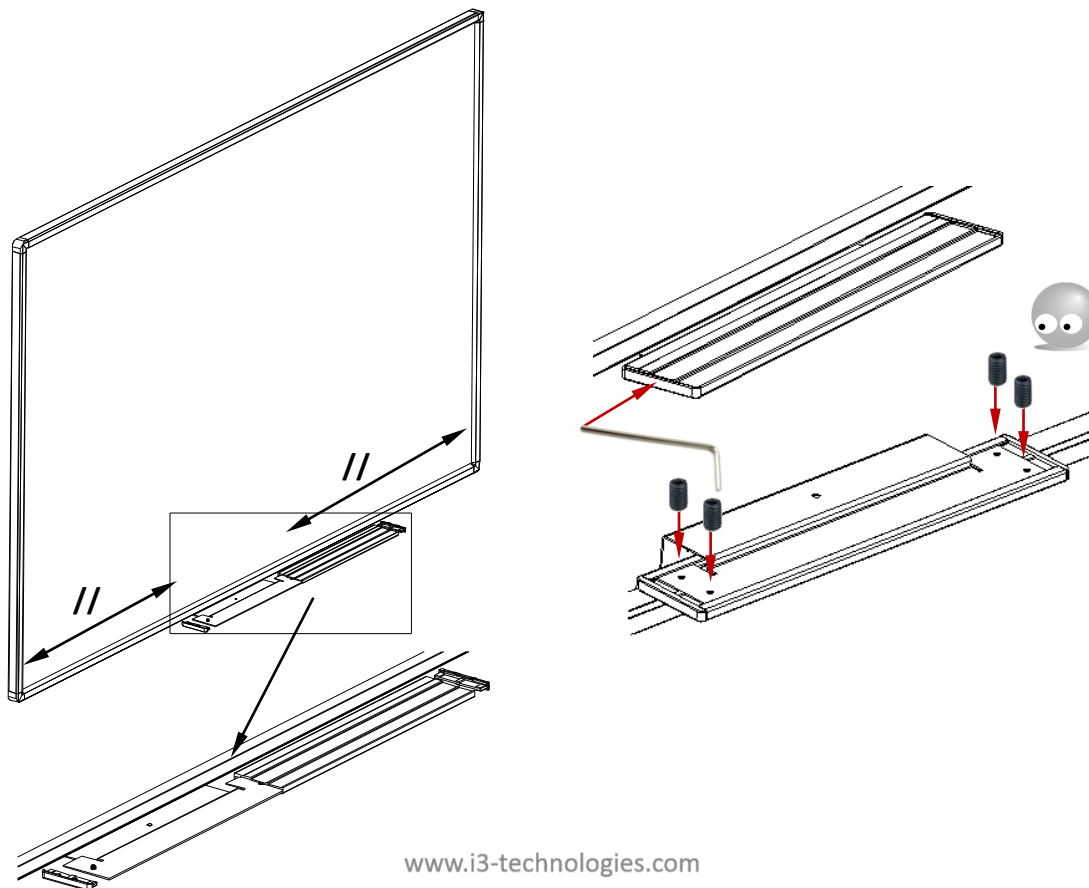


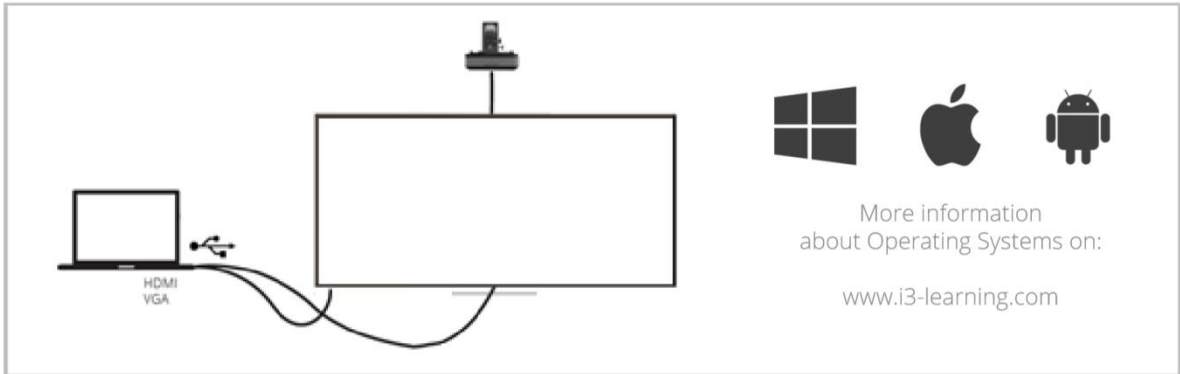
D



CABLE NOT INCLUDED



E**F****G**



EU DECLARATION OF CONFORMITY

This product conforms to all the essential requirements and further relevant specifications described in the 2014/30/EU (EMC) directive.



FCC DECLARATION OF CONFORMITY

This product complies with part 15 of the FCC rules. Operation is subject to the following conditions: (1) This device may not cause harmful interference and; (2) This device must accept any interference received, including interference that may cause undesired operation.

